

Notes:

68-1020-0861C

- 1) Design and Interface per IDS 68.
- 2) Blindmate RF/Microwave Contact for ARINC 600 Connectors.
- 3) Size 8 PkZ®, 50 Ohm, 32 GHz Straight Receptacle.
- 4) Direct Solder to RG-405 Cable (M17/133) .086 S.R.
- 5) For Use in ARINC 600 Connectors Per MIL-DTL-83527, Size #8
- 6) Insertion and Withdrawal Tool T0617 Required to Insert and Remove Contacts from Housing.
- 7) .000050" Min. Gold Over Copper.

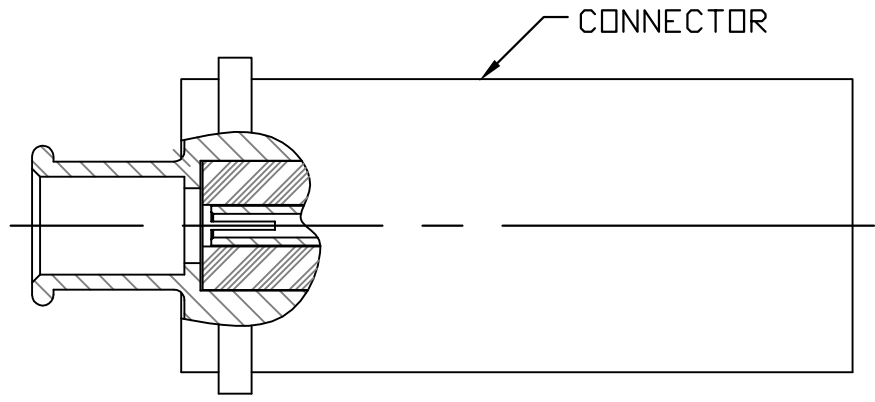
MATERIAL:				<small>UNLESS OTHERWISE SPECIFIED, PALCO WORKMANSHIP STANDARDS APPLY DIMENSIONS IN INCHES OR (METRIC)</small> <small>DO NOT SCALE PRINTS</small> <small>TOLERANCES ARE: FRACTIONS: ± 1/64 DECIMALS: .XX ± .01 .XXX ± .005 ANGLES: ± 1/2°</small>	<table border="1"> <tr> <th colspan="2">APPROVALS</th> <th>DATE</th> </tr> <tr> <td>DRAWN</td> <td>EK</td> <td>08/30/05</td> </tr> <tr> <td>CHECKED</td> <td>JEM</td> <td>08/30/05</td> </tr> <tr> <td>QA</td> <td></td> <td></td> </tr> <tr> <td>MFG</td> <td></td> <td></td> </tr> <tr> <td>ENGINEER</td> <td>EK</td> <td>08/30/05</td> </tr> <tr> <td>APPROVED</td> <td>JEM</td> <td>08/30/05</td> </tr> </table>		APPROVALS		DATE	DRAWN	EK	08/30/05	CHECKED	JEM	08/30/05	QA			MFG			ENGINEER	EK	08/30/05	APPROVED	JEM	08/30/05	<p>PALCO CONNECTOR 22 GREAT HILL RD., NAUGATUCK, CT 06770</p>	
APPROVALS		DATE																											
DRAWN	EK	08/30/05																											
CHECKED	JEM	08/30/05																											
QA																													
MFG																													
ENGINEER	EK	08/30/05																											
APPROVED	JEM	08/30/05																											
				<p>TITLE</p> <p>PKZ RECEPTACLE STRAIGHT, DIRECT SOLDER</p>																									
A	REL. PER ECN 12194	8/4/2015	RMB	SIZE	FSCM	DWG NO	REV	PLATING OPT.																					
01	PRELIMINARY	08/30/05	JEM	A	58167	68-1020-0861	A	C																					
REV.	DESCRIPTION	DATE	APPR	SCALE	F.S.R. #	SHEET	1	OF 1																					

CABLE ASSEMBLY PROCEDURE	
P/N	68-1020-0861
PAGE 1 OF 1	DATE: 09/02/05
DRAWN: EK	APPROVED: JEM
FOR USE WITH RG-405 S/R CABLE	

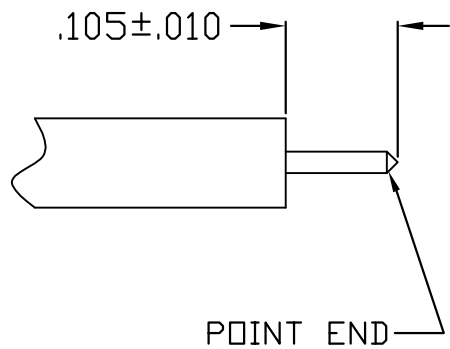
PALEO
CONNECTOR

22 GREAT HILL ROAD, NAUGATUCK, CT. 06770
 PHONE: (203) 729-9090 FAX: (203) 723-1794

REV	DESCRIPTION	DATE	APPR
01	PRELIMINARY	09/02/05	JEM
A	PER ECN 12194	08/05/15	RMB



STEP 1
 STRIP CABLE TO DIMENSION SHOWN.
 POINT END 90°.



STEP 2
 SLIDE PREPARED CABLE INTO CONNECTOR
 BODY AND SOLDER, CLEAN SOLDER JOINT.

