

INTERFACE DESIGN STANDARD		 22 GREAT HILL ROAD, NAUGATUCK, CT. 06770 PHONE: (203) 729-9090 FAX: (203) 723-1794	REV	DESCRIPTION	DATE	APPR
IDS-40J			A	PER ECN 9132	11/07/07	JEM
PAGE 1 OF 2	DATE: 11/07/07		B	PER ECN 9746	01/19/09	JEM
DRAWN: ALS	APPROVED: HN					

DESCRIPTION: 40 SERIES, BNC, PER BS EN 122340 NON-MAGNETIC.

MECHANICAL

MATERIALS

BODIES, NUTS, FERRULE AND CAPS- NON-MAGNETIC BRASS.
INSULATORS - TEFLON (PTFE) PER ASTM-D-1710.
CONTACTS, FEMALE AND OUTER - BERYLLIUM COPPER PER ASTM-B-196.
GASKETS - SILICONE RUBBER PER ZZ-R-765.

FINISHES (ADD LETTER "J" TO END OF PART NUMBER)

GOLD PER MIL-G-45204.
COPPER PER MIL-C-14550.
CONTACTS - .000030 MIN. GOLD OVER COPPER.
BODIES: .000020 MIN. GOLD OVER COPPER.
OTHER METAL PARTS:
GOLD PLATED TO MEET THE ENVIRONMENTAL REQUIREMENTS.
RESIDUAL MAGNETISM 20 GAMMA MAX.

MATING CHARACTERISTICS

CENTER CONTACT PIN AND SOCKET PER MIL-C-39012
FORCE TO ENGAGE /DISENGAGE- LONGITUDINAL - 3 LBS. MAX.
TORQUE- 2 IN.-LBS. MAX.
COUPLING NUT RETENTION - 100 LBS. MIN.
CONNECTOR DURABILITY: 500 CYCLES PER MIL-C-39012.
CONFORMS TO BS EN 122340 STANDARDS.

ELECTRICALS

IMPEDANCE: 50 OHMS.
FREQUENCY RANGE: DC TO 4 GHz.
INSULATION RESISTANCE: 5000 MEGOHMS.
DMV - 1500 VOLTS MIN. AT SEE LEVEL
CONTACT RESISTANCE- CENTER CONTACT - 1.5 MILLOHMS
OUTER CONTACT - 0.2 MILLOHMS
VSWR - 1.30 MAX.
R.F. LEAKAGE - 55 dB MIN. @ 2 to 3 GHz .
INSERTION LOSS - 0.18 dB @ 3 GHz.

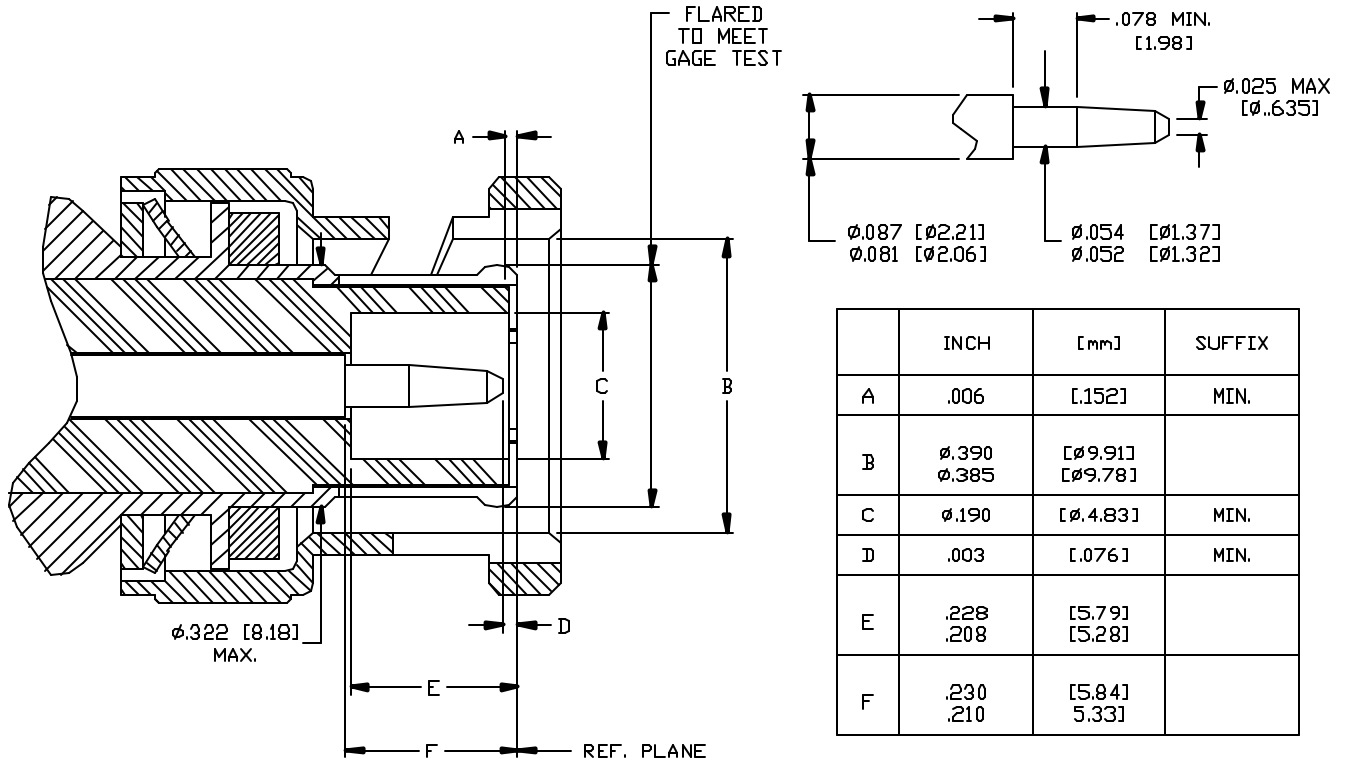
ENVIRONMENTAL

TEMPERATURE RATING: -65°C TO +165°C
VIBRATION: MIL-STD-202, METHOD 204, TEST CONDITION B.
SHOCK: MIL-STD-202, METHOD 213, TEST CONDITION B.
THERMAL SHOCK: MIL-STD-202, METHOD 107, TEST CONDITION B @ 85°C.
CORROSION: MIL-STD-202, METHOD 101, TEST CONDITION B.
MOISTURE RESISTANCE: MIL-STD-202, METHOD 106,
NO MEASUREMENT AT HIGH HUMIDITY.

REV	DESCRIPTION	DATE	APPR
01	PRELIMINARY	11/2/07	HN
A	PER ECN 9132	11/07/07	JEM
B	PER ECN 9746	01/19/08	JEM

DESCRIPTION: 40 SERIES, BNC, PER BS EN 122340 NON-MAGNETIC.

DIMENSIONS ARE TO MIL-STD-348A.



DIMENSIONS ARE TO MIL-STD-348A.

	INCH	[mm]	SUFFIX
A	.208 .188	[5.28] [4.78]	
B	.206 .186	[5.23] [4.72]	
C	.436 .432	[11.07] [10.97]	
D	.006	[.152]	MAX.
E	$\phi .0321$ $\phi .0319$	[$\phi 8.15$] [$\phi 8.10$]	
F	$\phi .087$ $\phi .081$	[$\phi 2.21$] [$\phi 2.06$]	
G	$\phi .081$ $\phi .075$	[$\phi 2.06$] [$\phi 1.91$]	
H	.208 .204	[5.28] [5.18]	
I	$\phi .186$	[$\phi 4.72$]	MAX.
J	$\phi .333$ $\phi .327$	[$\phi 8.46$] [$\phi 8.31$]	
K	$\phi .382$ $\phi .378$	[$\phi 9.70$] [$\phi 9.60$]	

