

REV	DESCRIPTION	DATE	APPR
A	PER ECN 8637	08/24/06	JEM

DESCRIPTION: 22 SERIES, SMA (BRASS) , PER BS EN 122340 NON-MAGNETIC.

## MECHANICAL

### MATERIALS:

BODIES, NUTS, FERULE AND CAPS- BRASS 61D, ALLOW 36000 ( <0.01 Fe).

INSULATORS - TEFLON (PTFE) PER ASTM-D-1710.

CONTACTS, MALE AND FEMALE- BERYLLIUM COPPER PER ASTM-B-196.

GASKETS - SILICONE RUBBER PER ZZ-R-765.

### FINISHES (ADD LETTER "J" TO END OF PART NUMBER)

GOLD PER MIL-G-45204. COPPER PER MIL-C-14550. RESIDUAL MAGNETISM BELOW 20 GAMMA.

CONTACTS - .000030 MIN. GOLD OVER COPPER.

BODIES: .000020 MIN. GOLD OVER COPPER.

OTHER METAL PARTS: GOLD PLATED TO MEET THE ENVIRONMENTAL REQUIREMENTS.

## MATING CHARACTERISTICS

CENTER CONTACT PIN AND SOCKET PER MIL-C-39012 (1 OZ. MIN) (2 LBS. MAX)

FORCE TO ENGAGE /DISENGAGE- 2 IN.-LBS. MAX. TORQUE.

COUPLING NUT RETENTION - 60 LBS. MIN.

CONNECTOR DURABILITY - 100 CYCLES PER MIL-PRF-39012.

CONFORMS TO BS EN 122340 STANDARDS.

	WALL THICKNESS OF BODY	
	THICK:	THIN:
COUPLING PROOF TORQUE, IN.-LBS	15 MIN.	7-10
RECOMMENDED TORQUE, IN.-LBS	7-10	5-6.5

## ELECTRICALS

IMPEDANCE: 50 OHMS.

FREQUENCY RANGE: DC TO 18 GHz.

INSULATION RESISTANCE: 5000 MEGOHMS.

	<u>RG 402 (141)</u> <u>SEMI-RIGID</u>	<u>RG 405 (085)</u> <u>SEMI-RIGID</u>
DWV -	1,500 VOLTS RMS.	1,000 VOLTS RMS.
RF HIGH POTENTIAL -	1,000 VOLTS RMS.	670 VOLTS RMS.
CONTACT RESISTANCE -		
CENTER CONTACT:	2.0 MILLIOHMS MAX.	2.0 MILLIOHMS MAX.
OUTER CONTACT:	2.0 MILLIOHMS MAX.	2.0 MILLIOHMS MAX.
OUTER CONTACT TO CABLE:	0.5 MILLIOHMS MAX.	0.5 MILLIOHMS MAX.
VSWR -		
DC - 18.0 GHz:	1.05 + .005F (GHz)	1.05 + .005F (GHz)
CORONA LEVEL -	375 VOLTS MIN.	335 VOLTS MIN.
R.F. LEAKAGE -	-90 dB MIN.	-90 dB MIN.
INSERTION LOSS -	$.03 \times \sqrt{F(\text{GHz})}$	$.03 \times \sqrt{F(\text{GHz})}$

## ENVIRONMENTAL

TEMPERATURE RATING: -65°C TO +165°C

VIBRATION: MIL-STD-202, METHOD 204, TEST CONDITION D.

SHOCK: MIL-STD-202, METHOD 213, TEST CONDITION I.

THERMAL SHOCK: MIL-STD-202, METHOD 107, TEST CONDITION B.

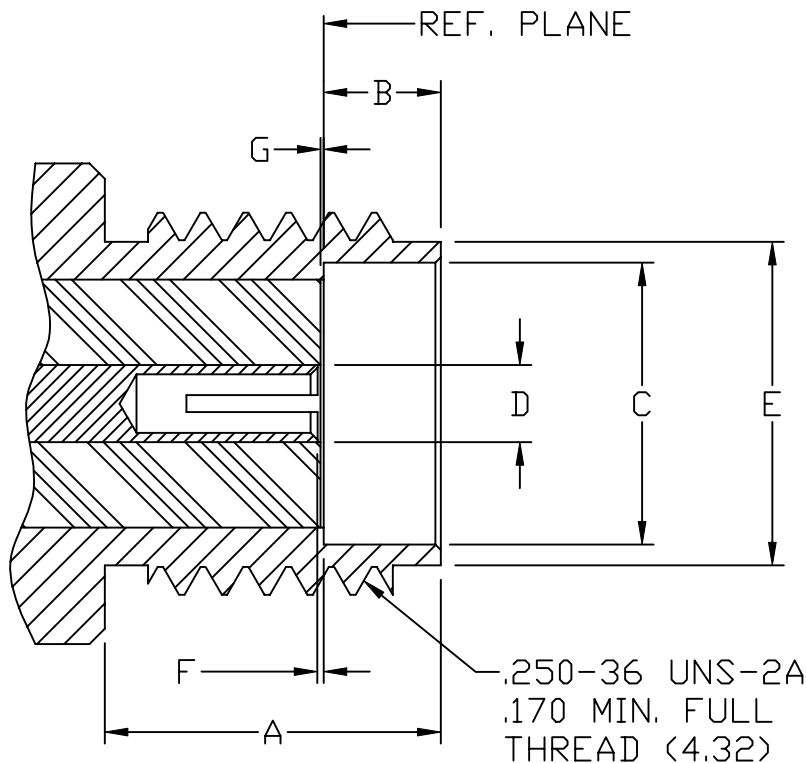
CORROSION: MIL-STD-202, METHOD 101, TEST CONDITION B, 5% SALT SOLUTION.

MOISTURE RESISTANCE: MIL-STD-202, METHOD 106, OMIT STEP 7B.

REV	DESCRIPTION	DATE	APPR
A	PER ECN 8637	08/24/06	JEM

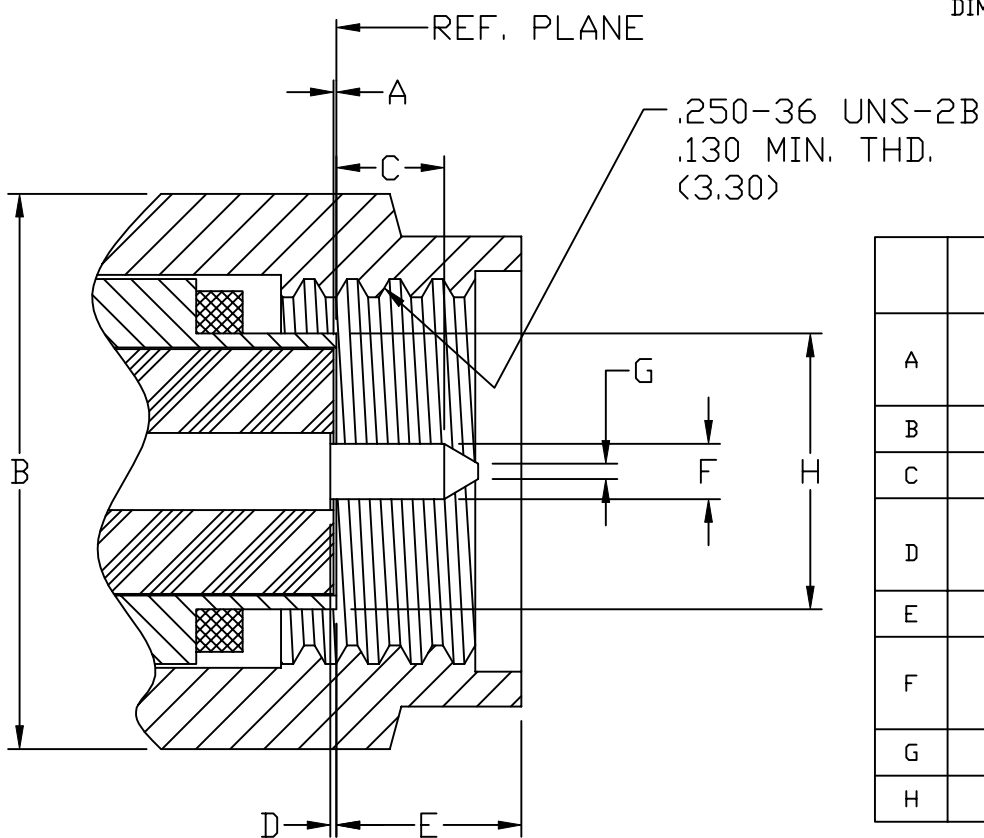
DESCRIPTION: 22 SERIES, SMA (BRASS) , PER BS EN 122340 NON-MAGNETIC.

DIMENSIONS ARE TO MIL-STD-348A.



	INCH	[mm]	SUFFIX
A	.218	[5.54]	MIN.
B	.078 .074	[1.98] [1.88]	
C	ø.181	[ø.460]	MIN.
D	ø.051 ø.049	[ø1.30] [ø1.24]	
E	ø.216 ø.208	[ø5.49] [ø5.28]	
F	.000 .010	[0.00] [0.25]	CONT.
G	.000 .007	[0.00] [0.18]	INS.

DIMENSIONS ARE TO MIL-STD-348A.



	INCH	[mm]	SUFFIX
A	.000 .007	[0.00] [0.18]	INS.
B	.312	[7.92]	HEX
C	.050	[1.27]	MIN.
D	.000 .010	[0.00] [0.25]	CONT.
E	.135	[3.43]	MAX.
F	ø.0370 ø.0355	[ø0.94] [ø0.90]	
G	ø.010	[ø0.25]	FLAT
H	ø.1808	[ø4.59]	MAX.